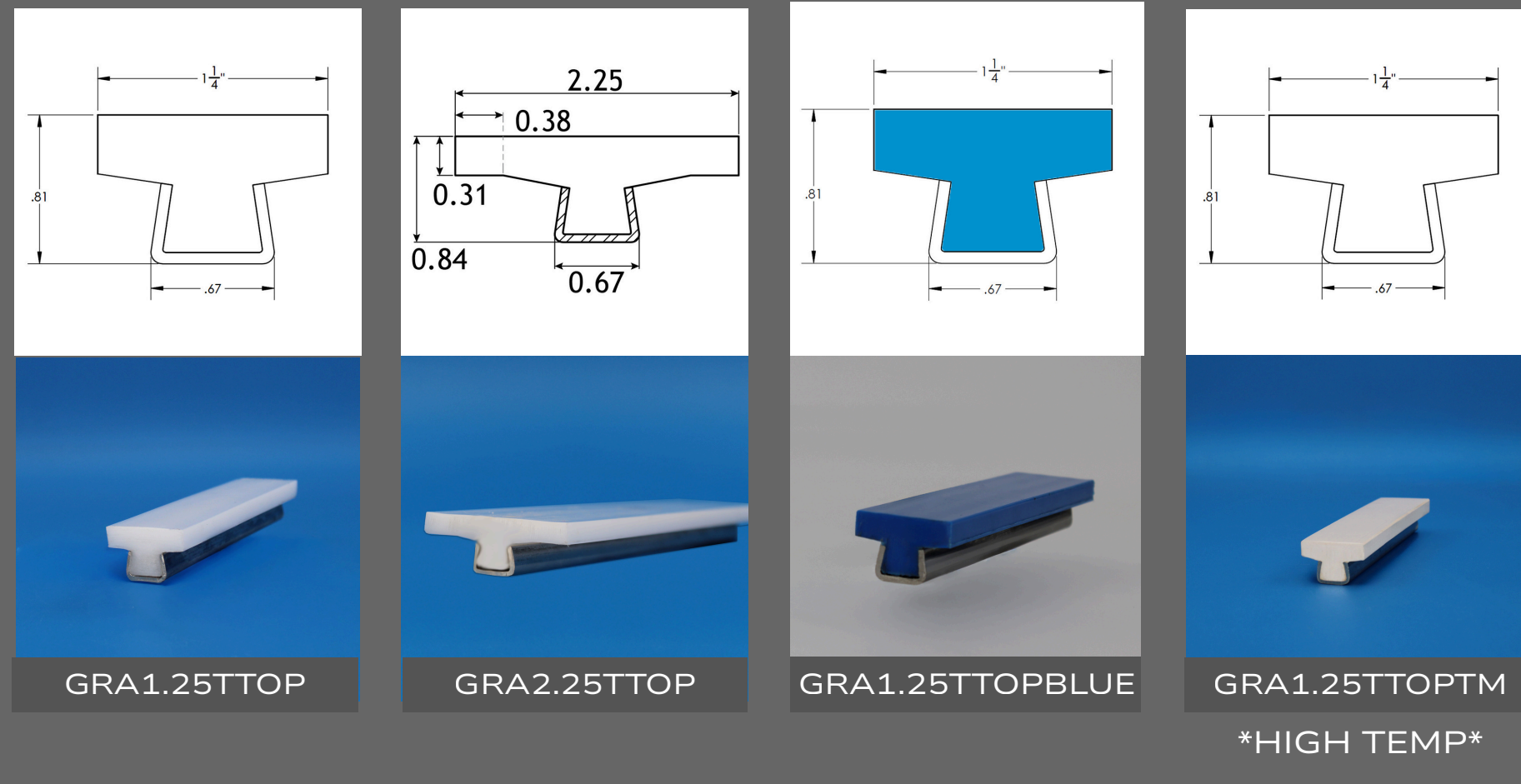
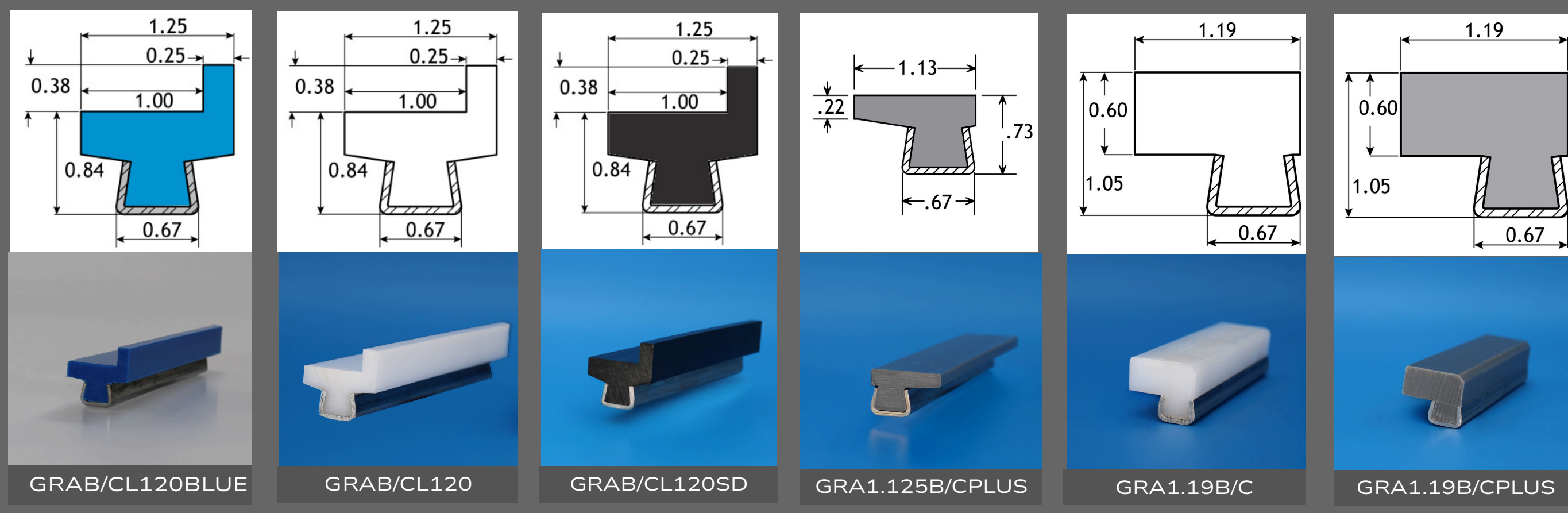


GUIDE RAILS

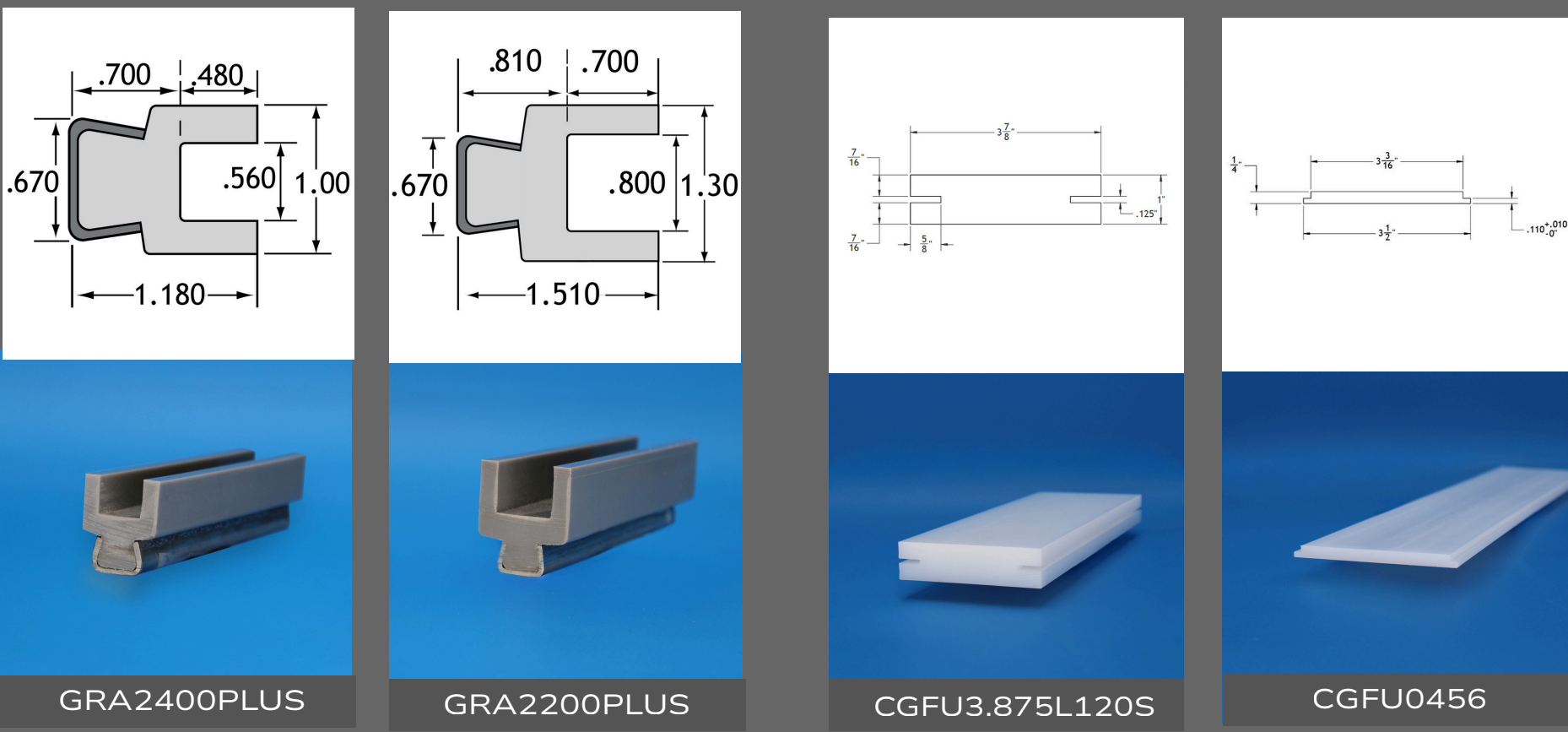
T-TOP



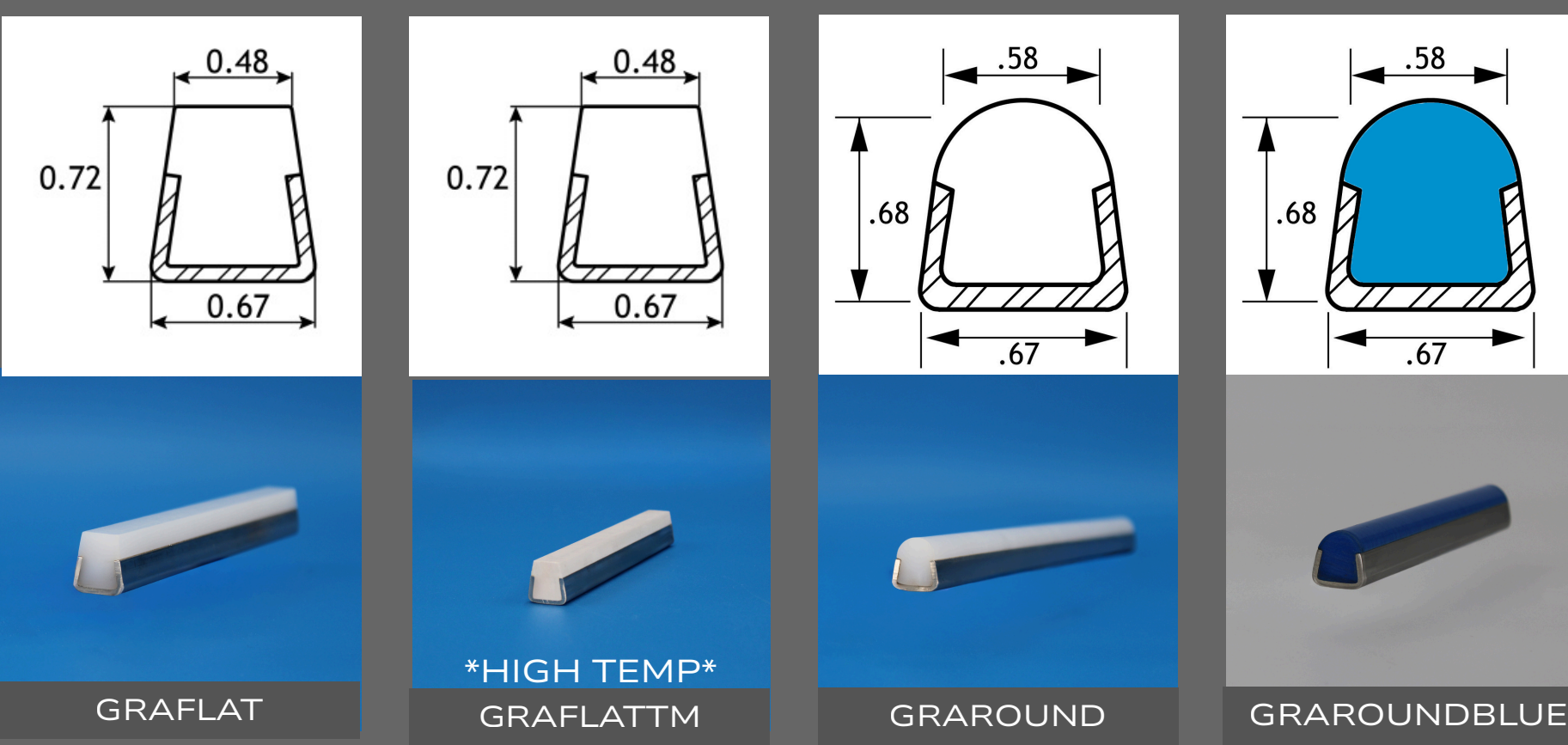
BELT / CHAIN GUIDE



WIDE GUIDE OPTIONS

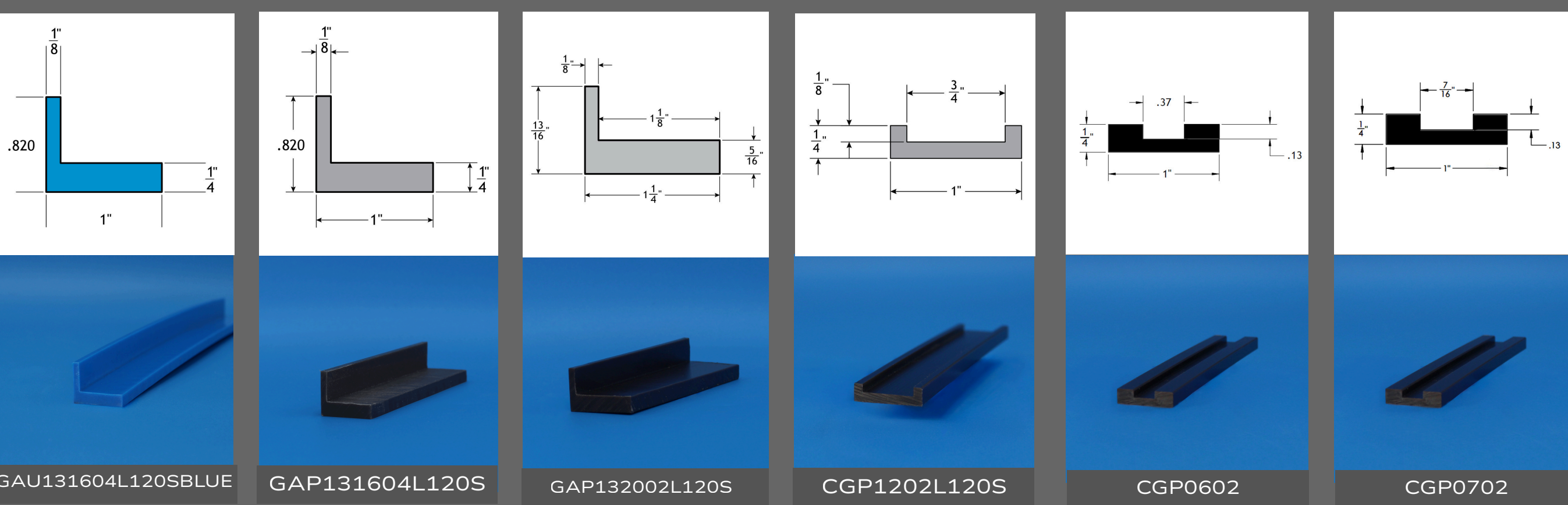


ROUND / FLAT

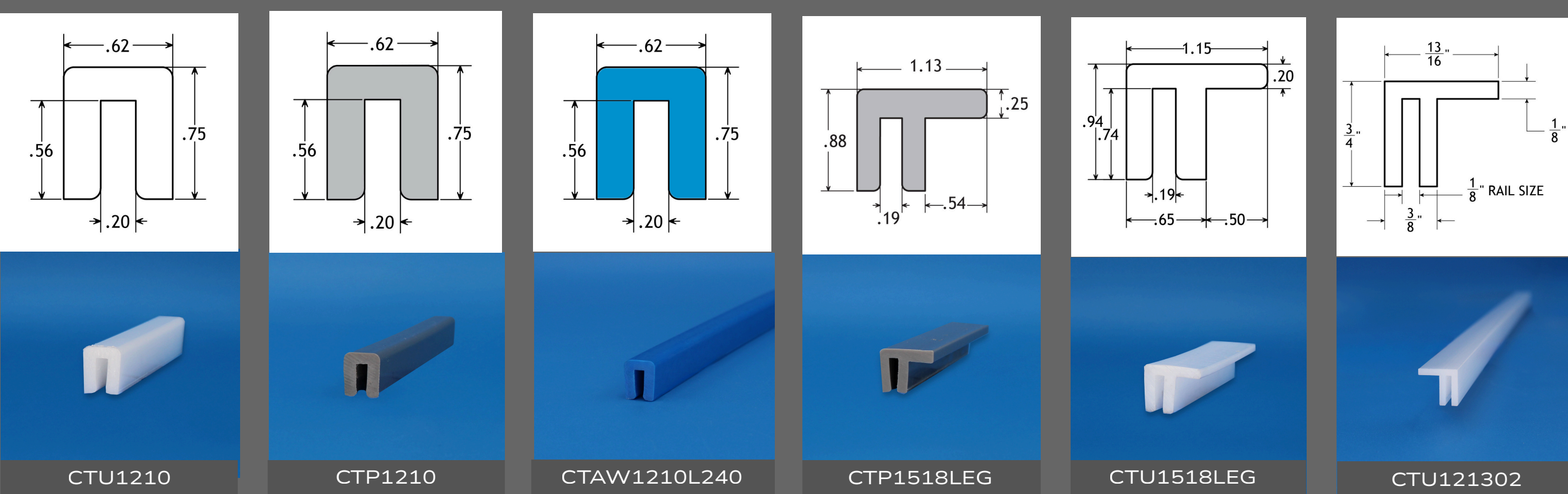


BELT GUIDES

GUIDE ANGLES / U PROFILES

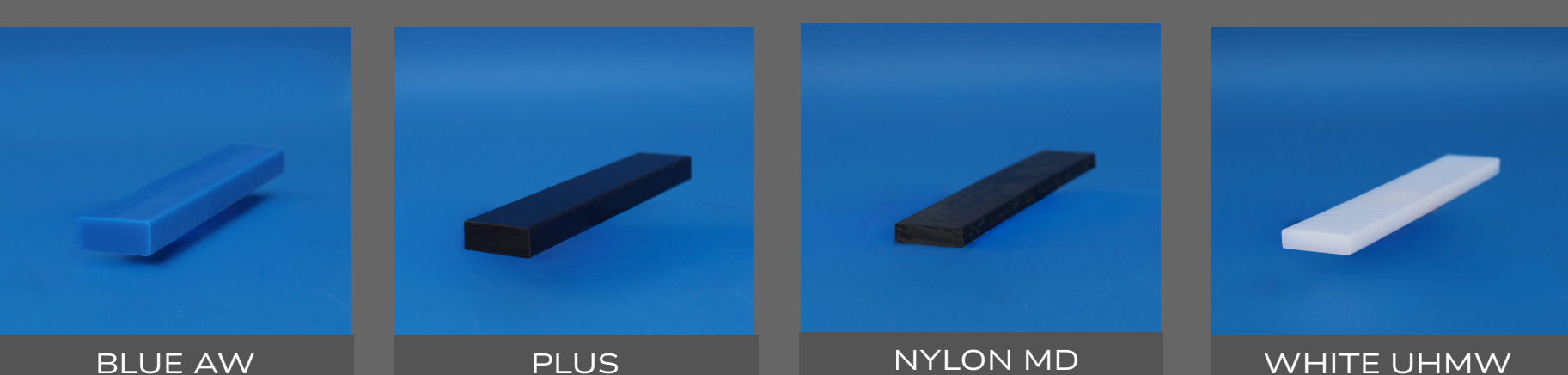


MODULAR BELT GUIDES / CGFU SERIES



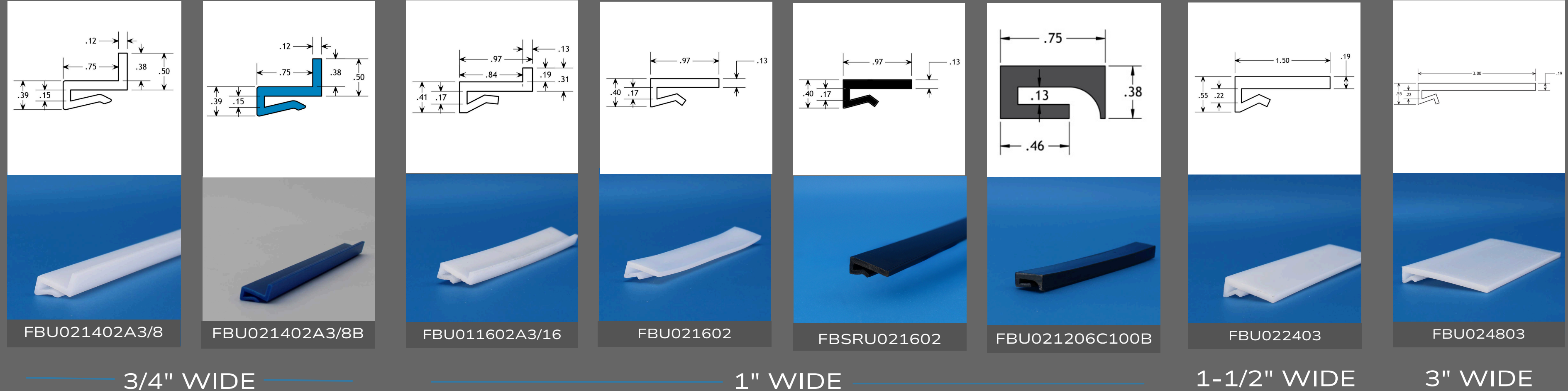
WEARSTRIPS

CUT TO LENGTH: THICKNESS X WIDTH



FLAT BAR CLIP ONS

FITS 1/8" RAIL



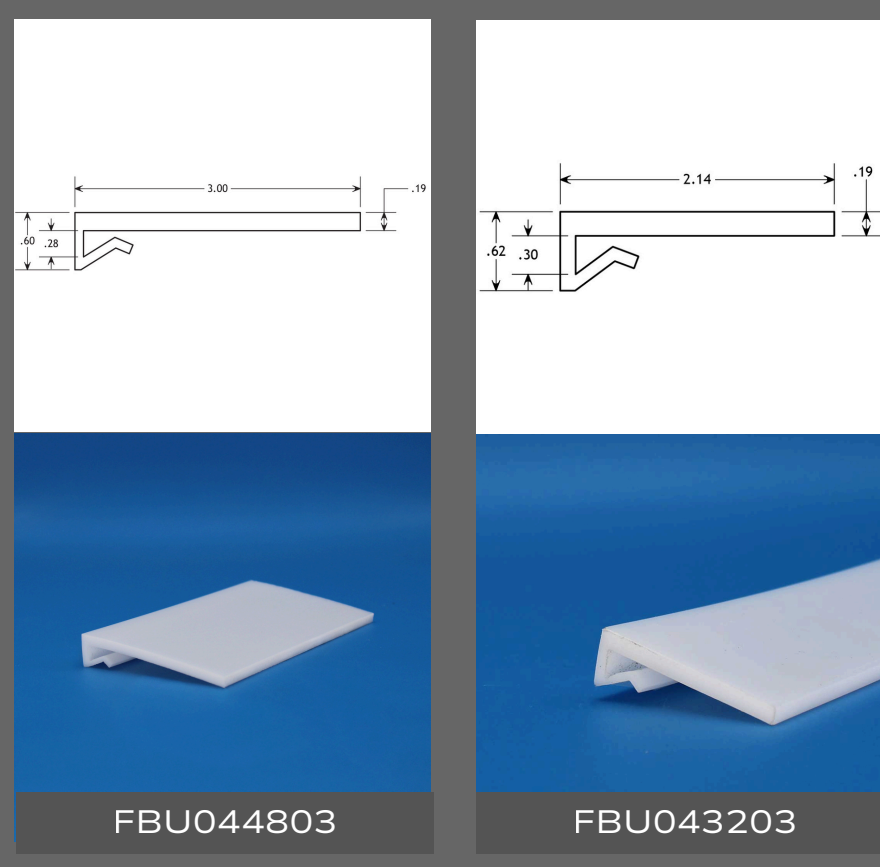
3/4" WIDE

1" WIDE

1-1/2" WIDE

3" WIDE

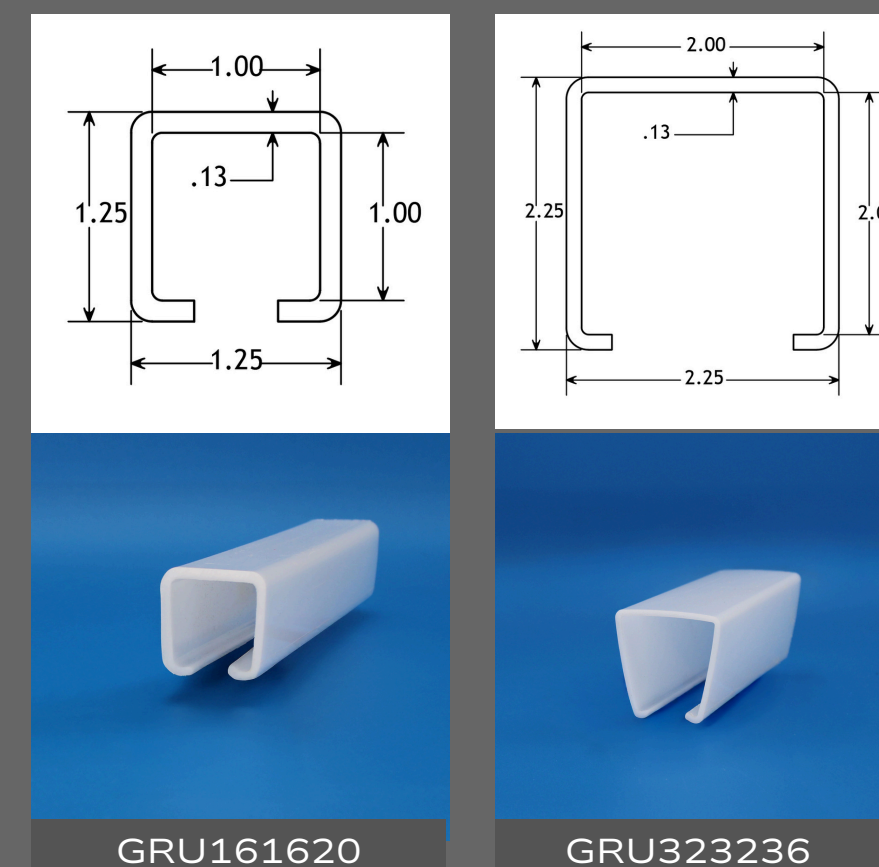
FITS 3/16" - 1/4" RAIL



3" WIDE

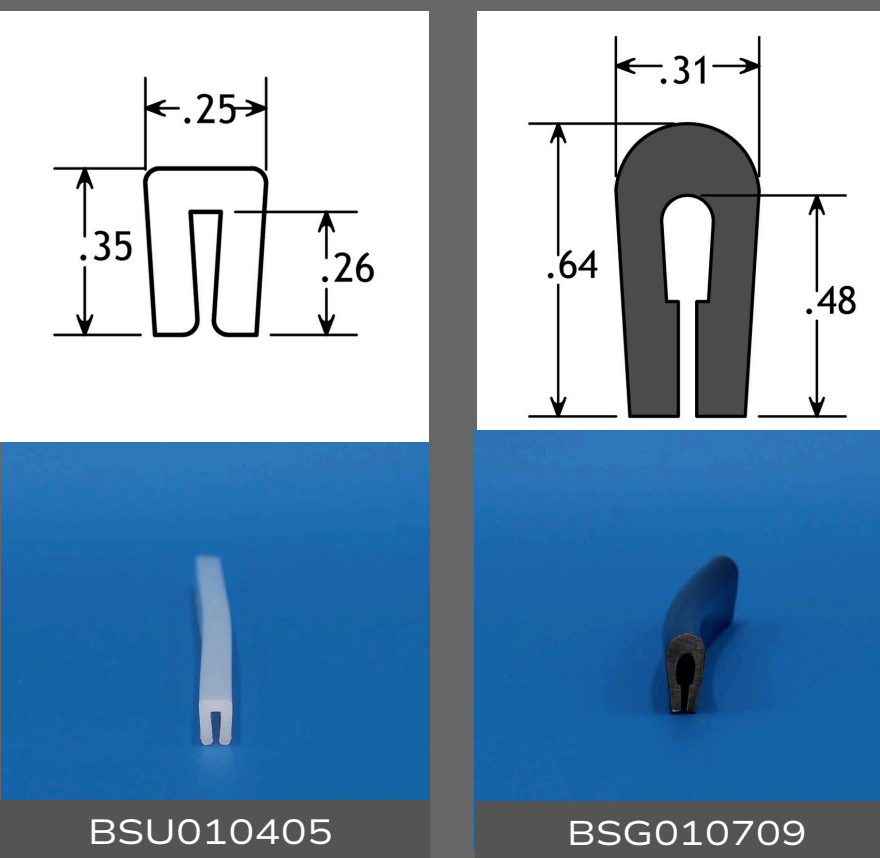
2" WIDE

GUIDE RAIL SNAP ONS

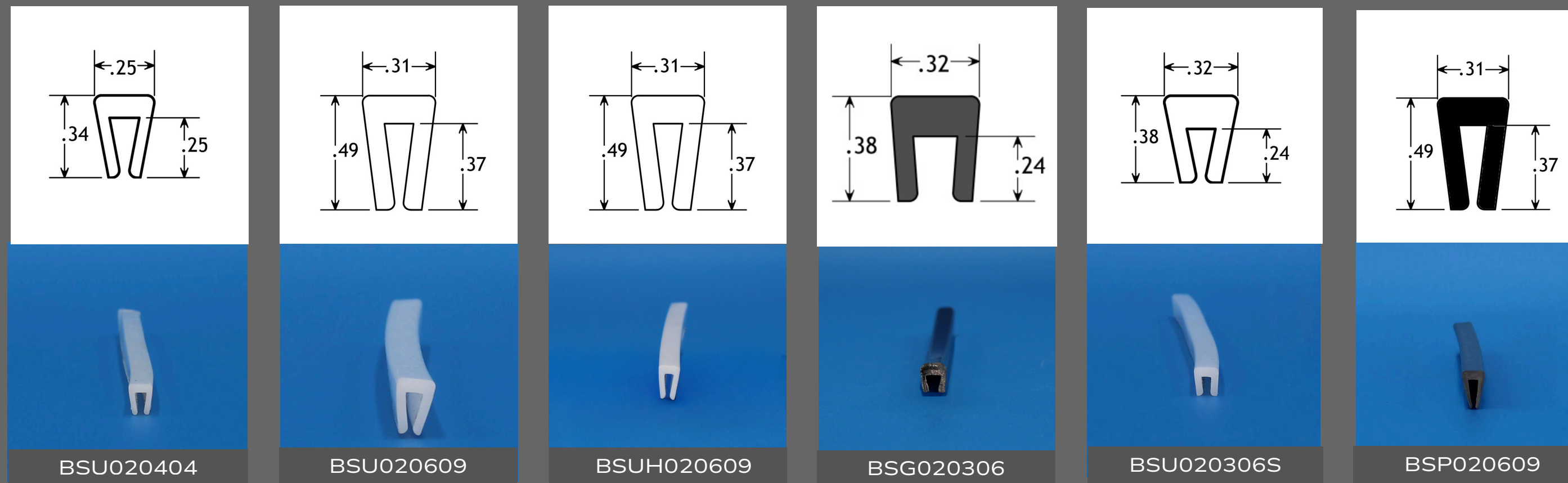


BAR SNAP ONS

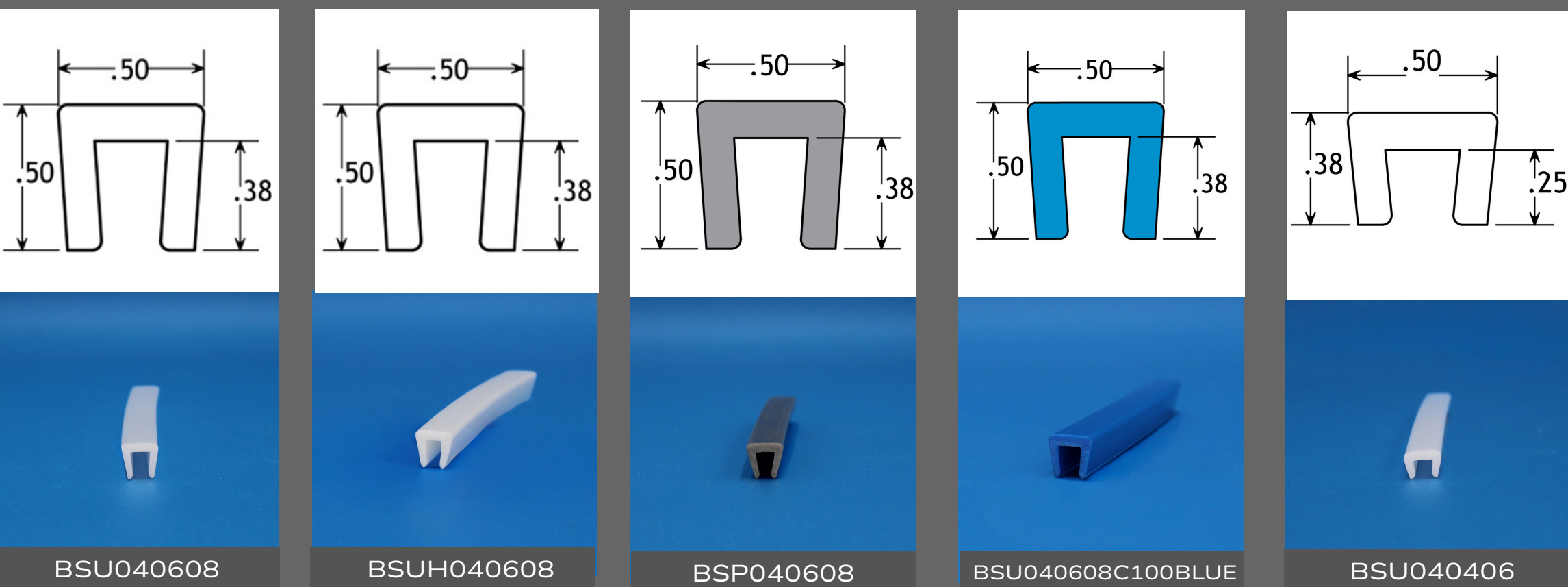
FITS 1/16" RAIL



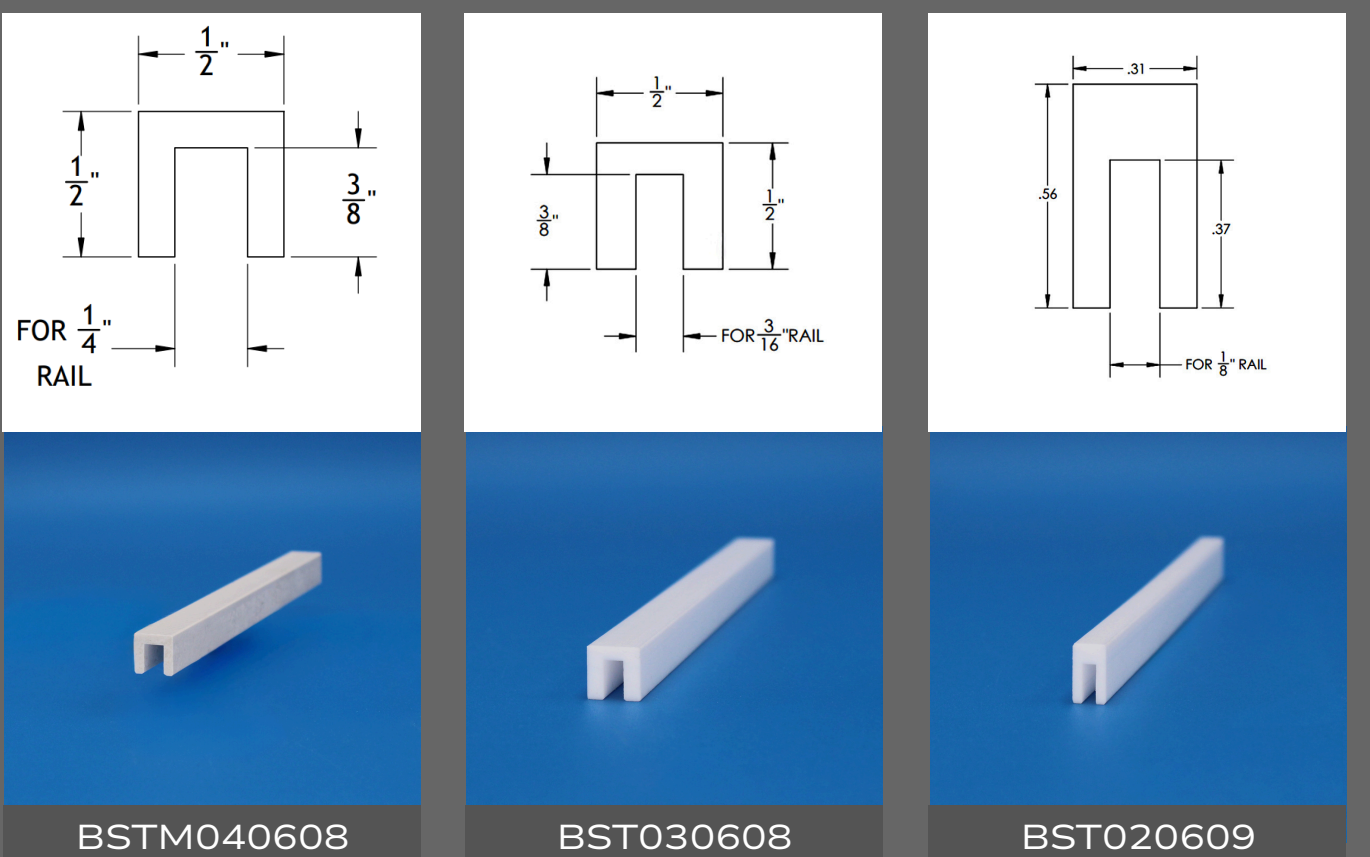
FITS 1/8" RAIL



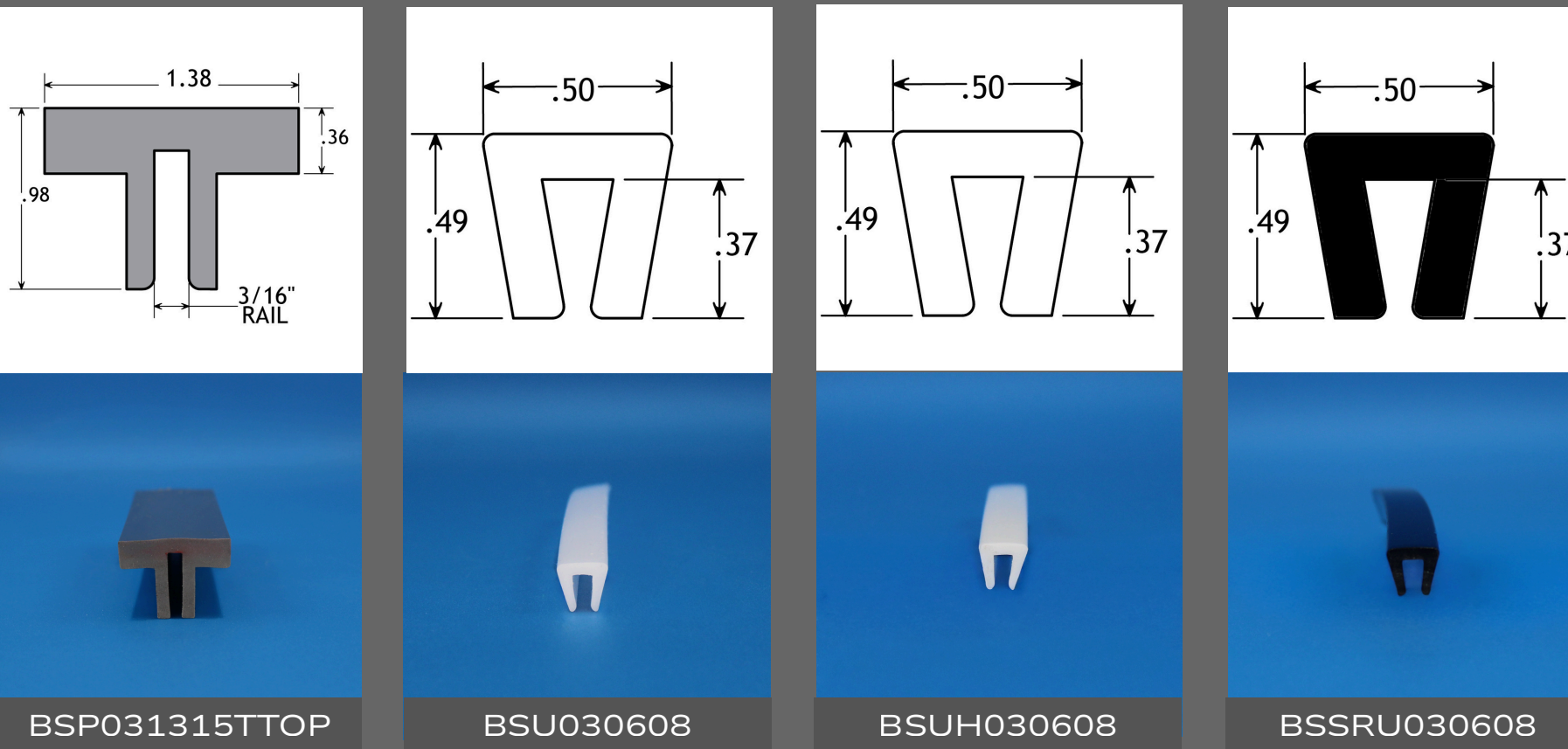
FITS 1/4" RAIL



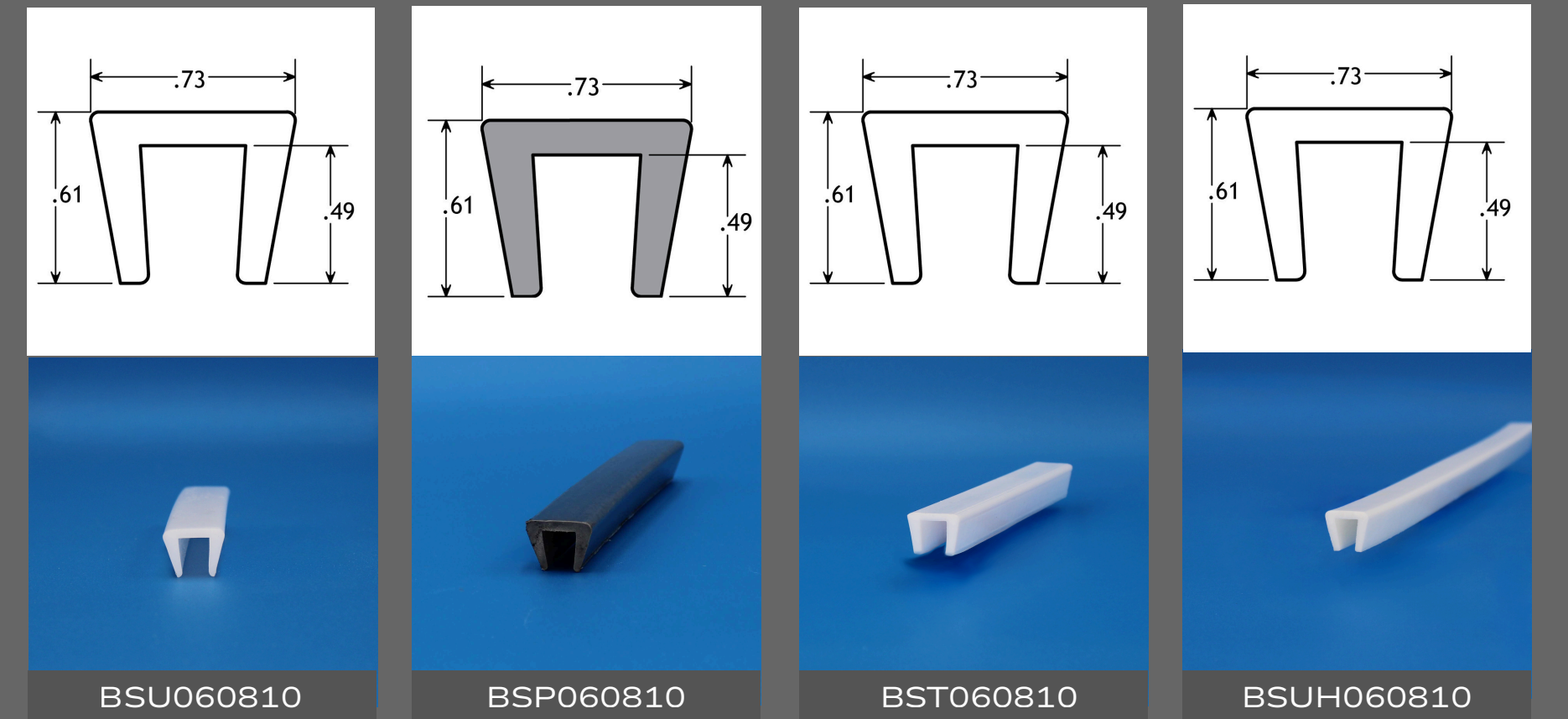
MACHINED



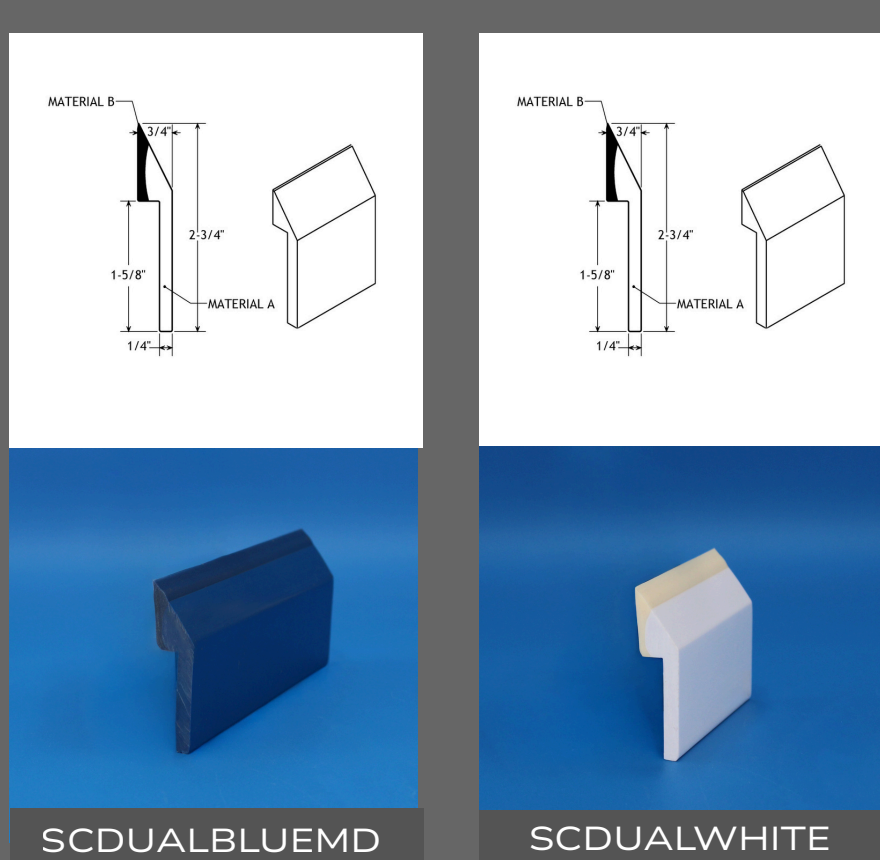
FITS 3/16" RAIL



FITS 3/8" RAIL



SCRAPER BLADES



POBCO Material Codes:

- U: UHMW
- P: PLUS (Lube Filled UHMW)
- T: Virgin PTFE (450°F)
- UH: Hi-Temp UHMW (275°F)
- SD or SR: Static Reduced UHMW
- MD: Nylon MD
- TM: Poblon (500°F)
- AW: Blue Lube UHMW
- BLUE: Blue Virgin UHMW